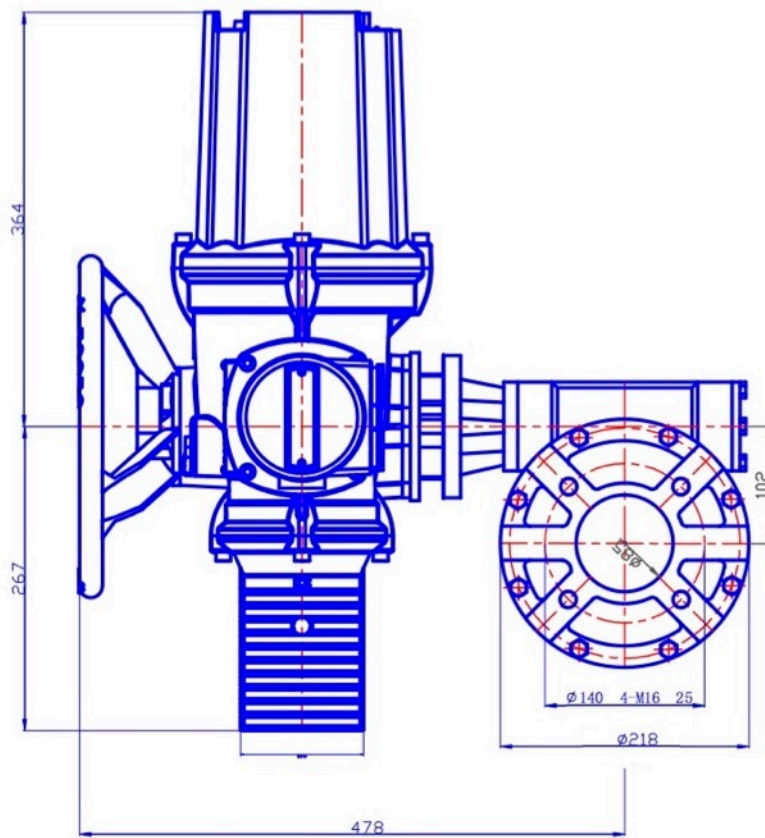
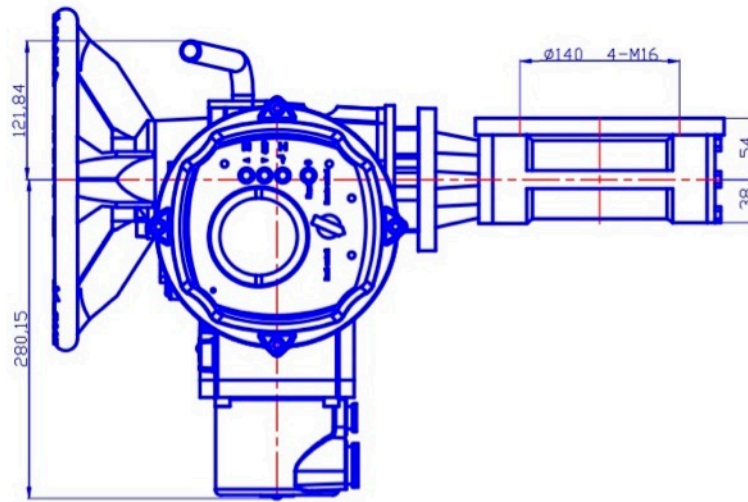


Dimensions

KZC10-GW60-F14



We reserve the right to alter data according to improvements made. Previous documents become invalid with the issue of this document.

SCHWARZ®
Schwarz International GmbH

Issue **2.16**